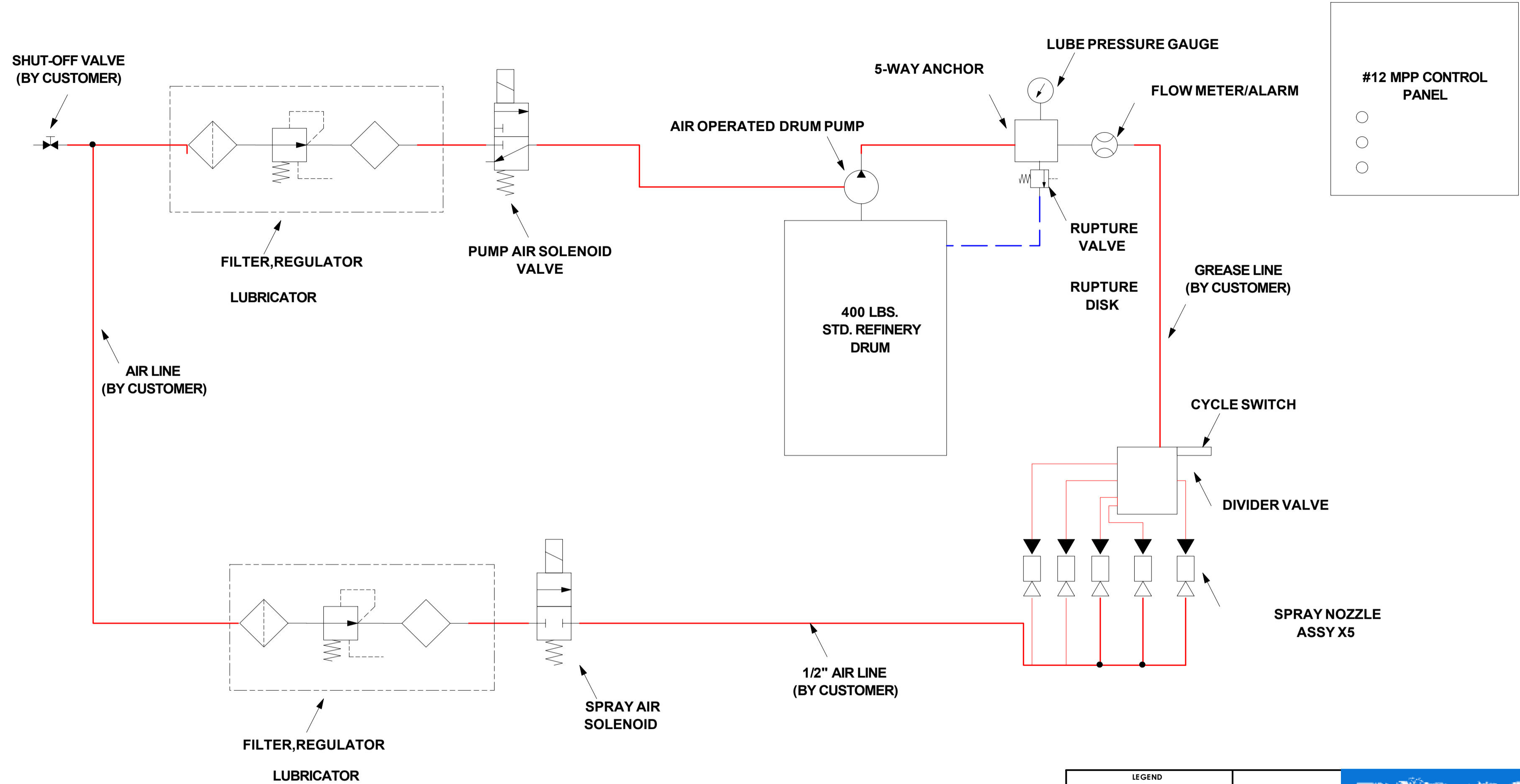


WORK ORDER NO.	
QUANTITY REQ'D	



LEGEND

PRESSURE	— (Red line)
RETURN/EXHAUST	- - - (Blue line)
DIRECTIONAL	- - - (Green line)
INTAKE/DRAIN	- - - (Purple line)
PILOT	- - - (Orange line)
LOAD SENSE	- - - (Yellow line)
BOUNDARY	- - - (Black line)

ALL HYDRAULIC/PNEUMATIC SYMBOLS FOLLOW ISO STANDARD 1219 UNLESS OTHERWISE SPECIFIED.

PROPRIETARY AND CONFIDENTIAL
 THE INFORMATION CONTAINED IN THIS DRAWING IS THE SOLE PROPERTY OF MULTI-POWER PRODUCTS LTD. ANY REPRODUCTION IN PART OR AS A WHOLE WITHOUT THE WRITTEN PERMISSION OF MULTI-POWER PRODUCTS LTD. IS PROHIBITED.



TITLE: BRC Gearspray System				SHEET 1 OF 1	
DESIGN BY: TM U	CHECKED: N/A	SIZE B	DWG. NO. N/A		
DRAWN BY: TM U	DATE: 04DEC2009				